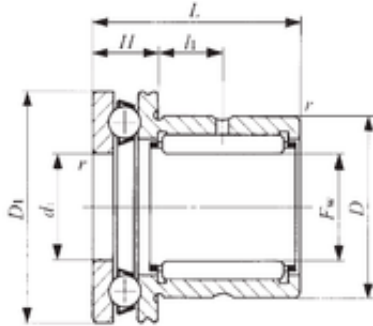




KFY MANUFACTURING MEXICO LIMITED

IKO NAX 2530Z complex bearings



Bearing No. NAX 2530Z

Bore Diameter	25 mm
Outer Diameter	37 mm
Fw	25 mm
D	37 mm
D1	42 mm
D2	43 mm
d1	25 mm
r min.	0,6 mm
H	11 mm
L	30 mm
L1	9,5 mm
da min.	35 mm
Weight	0,135 Kg
Dynamic load rating radial (C)	20 kN
Dynamic load rating axial (C)	19,6 kN
Static load rating radial (C0)	32,1 kN
Static load rating axial (C0)	29,7 kN

NAX 2530Z Bearing 2D drawings and 3D CAD models