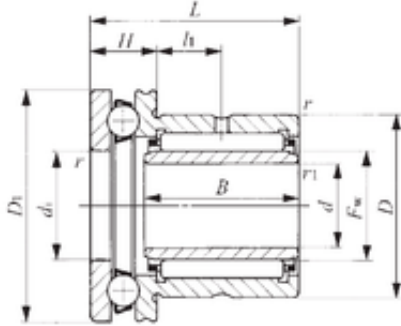




# KFY MANUFACTURING MEXICO LIMITED

20 mm x 37 mm x 20,5 mm IKO NAXI 2030  
complex bearings



Bearing No. NAXI 2030

Bore Diameter	20 mm
Outer Diameter	37 mm
d	20 mm
Fw	25 mm
D	37 mm
D1	42 mm
B	20,5 mm
d1	25 mm
r min.	0,6 mm
r1 min.	0,3 mm
H	11 mm
L	30 mm
L1	9,5 mm
da min.	35 mm
db	24 mm
Weight	0,159 Kg
Dynamic load rating radial (C)	20 kN
Dynamic load rating axial (C)	19,6 kN
Static load rating radial (C0)	32,1 kN
Static load rating axial (C0)	29,7 kN

NAXI 2030 Bearing 2D drawings and 3D CAD models