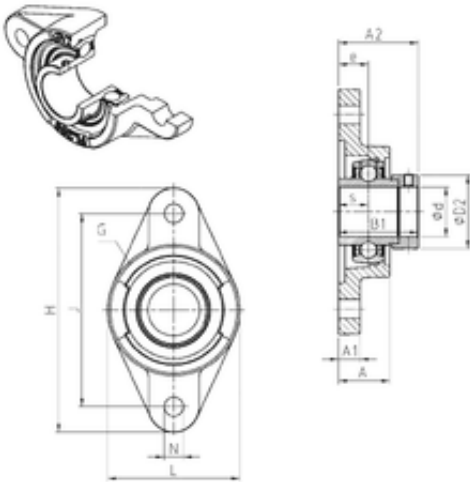




KFY MANUFACTURING MEXICO LIMITED



SNR EXFL201 bearing units

Bearing No. EXFL201

Bore Diameter	12 mm
d	12 mm
e	15 mm
s	17 mm
A	25,5 mm
A1	11 mm
B1	43,5 mm
D2	33,3 mm
H	113 mm
J	90 mm
L	60 mm
N	12 mm
Thread (G)	M6x1
A2	41,5 mm
Weight	0,6 Kg
Basic dynamic load rating (C)	12,8 kN

EXFL201 Bearing 2D drawings and 3D CAD models