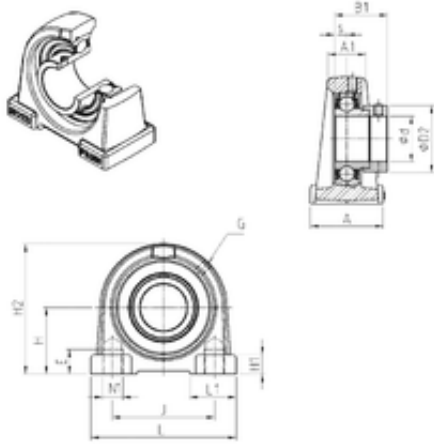




# KFY MANUFACTURING MEXICO LIMITED



## SNR ESPAE202 bearing units

Bearing No. ESPAE202

Bore Diameter	15 mm
d	15 mm
s	6,5 mm
A	30 mm
A1	18 mm
B1	28,6 mm
D2	28,6 mm
E	10 mm
H	30,2 mm
H1	9 mm
H2	57 mm
J	47 mm
L	63 mm
L1	17,5 mm
Thread (G)	M6x1
Thread (N1)	M8
Weight	0,4 Kg
Basic dynamic load rating (C)	9,55 kN

ESPAE202 Bearing 2D drawings and 3D CAD models