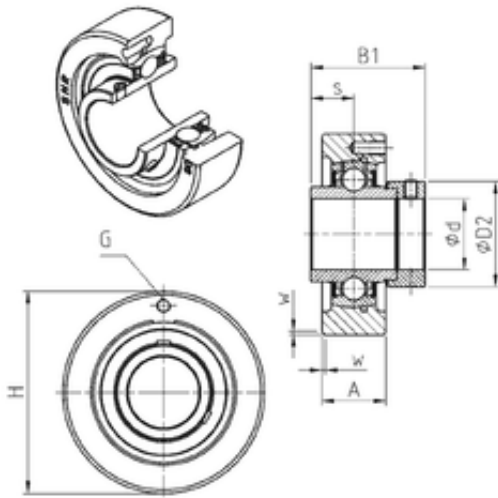




KFY MANUFACTURING MEXICO LIMITED



EXC213 Bearing 2D drawings and 3D CAD models

SNR EXC213 bearing units

Bearing No. EXC213

Bore Diameter	65 mm
d	65 mm
s	34,1 mm
A	40 mm
B1	85,7 mm
D2	86 mm
H	140 mm
W	2,5 mm
Thread (G)	M6x1
Weight	3,7 Kg
Basic dynamic load rating (C)	57,2 kN
B	68.2 mm
A3	2.5 mm
A5	34.1 mm
d1	86 mm
G	M6x1
s1	57.6 mm
S	34.1 mm
SW	5 mm
C	57.2 kN
C0	40 kN
T min.	-20 ° C
T max.	100 ° C
Recommended tightening torque for set screw	22 Nm
Designation of housing	C213-



KFY MANUFACTURING MEXICO LIMITED

Designation of bearing	EX213G2
------------------------	---------