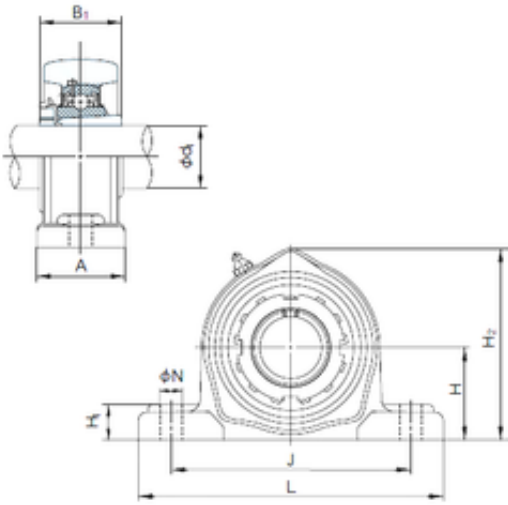




# KFY MANUFACTURING MEXICO LIMITED

## NACHI UKPK217+H2317 bearing units

Bearing No. UKPK217+H2317



UKPK217+H2317 Bearing 2D drawings and 3D CAD models

Bore Diameter	75 mm
d	75 mm
H	95.2 mm
A	80 mm
B1	82 mm
H1	32 mm
H2	199 mm
J	247 mm
L	303 mm
N	24 mm
Bolt (G)	M20