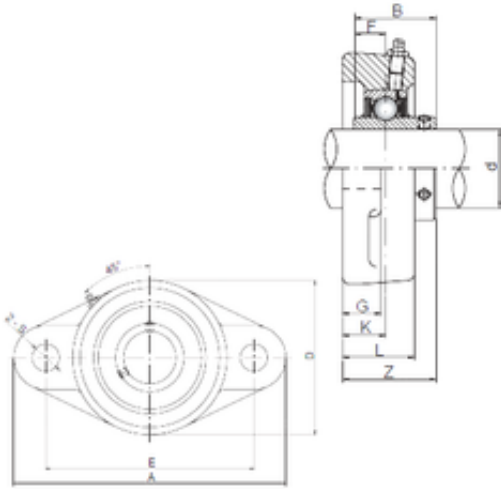




KFY MANUFACTURING MEXICO LIMITED

25 mm x 80 mm x 38 mm ISO UCFL305
bearing units

Bearing No. UCFL305



UCFL305 Bearing 2D drawings and 3D CAD models

Bore Diameter	25 mm
d	25 mm
B	38 mm
Z	39 mm
A	150 mm
D	80 mm
E	113 mm
F	15 mm
G	13 mm
K	16 mm
L	29 mm
S	19 mm
Bolt (G)	M16