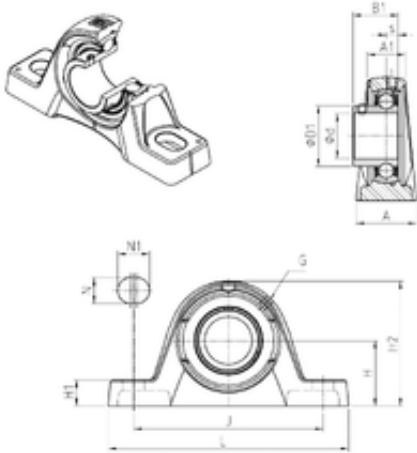




KFY MANUFACTURING MEXICO LIMITED

SNR USPLE212 bearing units

Bearing No. USPLE212



USPLE212 Bearing 2D drawings and 3D CAD models

Bore Diameter	60 mm
d	60 mm
s	14,9 mm
A	79,4 mm
A1	50,8 mm
B1	53,7 mm
D1	74,9 mm
H	68,3 mm
H1	28,6 mm
H2	138,1 mm
J	193,7 mm
L	245 mm
N	18 mm
N1	29,1 mm
Thread (G)	M6x1
Weight	4,6 Kg
Basic dynamic load rating (C)	52,5 kN