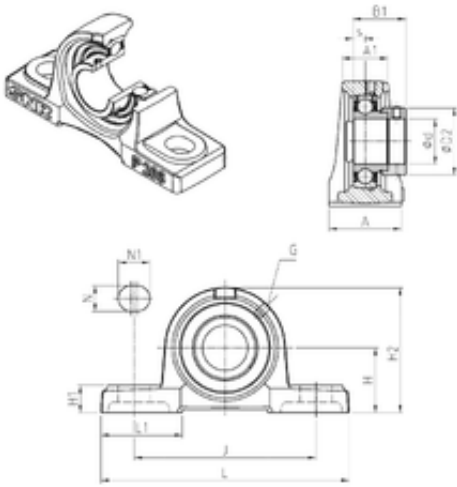




# KFY MANUFACTURING MEXICO LIMITED



## SNR ESP212 bearing units

Bearing No. ESP212

Bore Diameter	60 mm
d	60 mm
s	12 mm
A	70 mm
A1	44 mm
B1	49,3 mm
D2	84,2 mm
H	69,8 mm
H1	25 mm
H2	138 mm
J	184 mm
L	241 mm
L1	70 mm
N	20 mm
N1	25 mm
Thread (G)	M6x1
Weight	4,7 Kg
Basic dynamic load rating (C)	52,5 kN

ESP212 Bearing 2D drawings and 3D CAD models