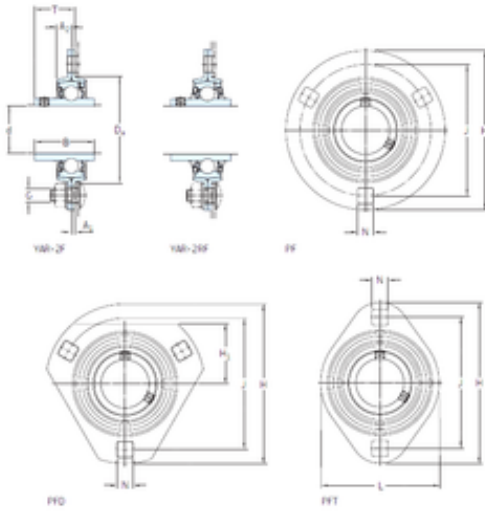




KFY MANUFACTURING MEXICO LIMITED



PF 50 RM Bearing 2D drawings and 3D CAD models

SKF PF 50 RM bearing units

Bearing No. PF 50 RM

Bore Diameter	50 mm
Width	38,9 mm
d	50 mm
Da	102 mm
A1	4 mm
B	38,9 mm
G	12 mm
H	155 mm
H1	– mm
J	127 mm
L	–
N	13,5 mm
T	31,6 mm
A2	11 mm
Weight	1,4 Kg
Basic dynamic load rating (C)	35,1 kN
Basic static load rating (C0)	23,2 kN
Housing material	Pressed steel
A ₁	4 mm
A ₂	11 mm
B ₄	8 mm
D _a min.	98 mm
s ₁	27.6 mm
Basic dynamic load rating C	35.1 kN
Basic static load rating C ₀	23.2 kN
Fatigue load limit P _u	0.98 kN



KFY MANUFACTURING MEXICO LIMITED

Permissible radial housing load max.	9 kN
Mass unit	1.35 kg
Thread grub screw G_2	M8x1
Hexagonal key size for grub screw N	4 mm
Recommended tightening torque for grub screw	6.5 N · m
Recommended diameter for attachment bolts, mm G	12 mm
Recommended diameter for attachment bolts, inch G	0.5 in