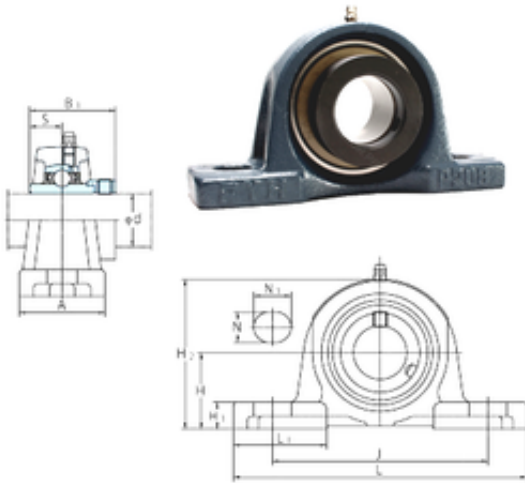




KFY MANUFACTURING MEXICO LIMITED

FYH NAP210-31 bearing units



Bearing No. NAP210-31

Bore Diameter	49,2125 mm
Width	57,2 mm
d	49,2125 mm
A	60 mm
B1	62,7 mm
H	57,2 mm
H1	19 mm
H2	113 mm
J	159 mm
L	206 mm
L1	63 mm
N	20 mm
N1	22 mm
S	24,6 mm
Bolt (G)	M16
Weight	3,1 Kg
Basic dynamic load rating (C)	35,1 kN

NAP210-31 Bearing 2D drawings and 3D CAD models