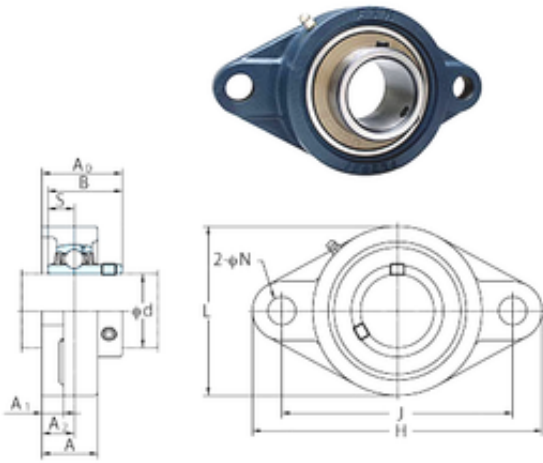




KFY MANUFACTURING MEXICO LIMITED

FYH UCFL214-44 bearing units

Bearing No. UCFL214-44



UCFL214-44 Bearing 2D drawings and 3D CAD models

Bore Diameter	69,85 mm
d	69,85 mm
A0	75,4 mm
A	54 mm
A1	20 mm
B	74,6 mm
H	265 mm
J	216 mm
L	160 mm
N	23 mm
S	30,2 mm
Bolt (G)	14,5
Bolt (G)	M20
A2	31 mm
Weight	5,7 Kg
Basic static load rating (C0)	62,2 kN