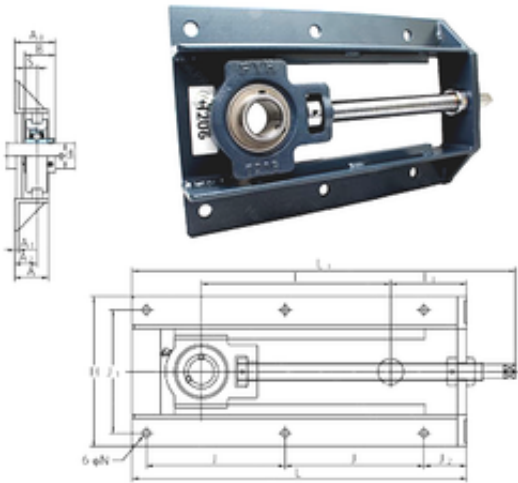




KFY MANUFACTURING MEXICO LIMITED

FYH UCTH210-31-300 bearing units



Bearing No. UCTH210-31-300

Bore Diameter	49,2125 mm
Width	121 mm
d	49,2125 mm
A0	67,6 mm
T1	121 mm
A	50 mm
A1	6 mm
B	51,6 mm
H	234 mm
J	219 mm
L	527 mm
L1	603 mm
N	15 mm
S	19 mm
T	296 mm
Bolt (G)	M12
A2	35 mm
J1	192 mm
J2	67 mm
Weight	12,6 Kg
Basic dynamic load rating (C)	35,1 kN
Basic static load rating (C0)	23,3 kN

UCTH210-31-300 Bearing 2D drawings and 3D CAD models