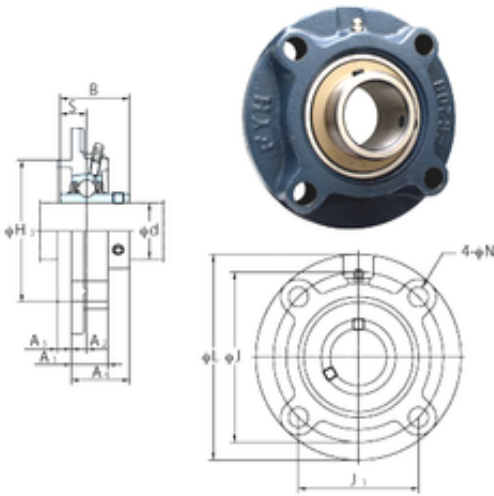




KFY MANUFACTURING MEXICO LIMITED

FYH UCFCX15 bearing units

Bearing No. UCFCX15



UCFCX15 Bearing 2D drawings and 3D CAD models

Bore Diameter	75 mm
d	75 mm
H3	164 mm
A4	61,3 mm
A1	35 mm
B	82,6 mm
J	190 mm
L	222 mm
N	19 mm
S	33,3 mm
Bolt (G)	M16
A2	12 mm
A3	22 mm
J1	134,3 mm
Weight	8 Kg
Basic dynamic load rating (C)	72,7 kN
Basic static load rating (C0)	53 kN
Category	Mounted Units & Inserts
Inventory	0.0
Manufacturer Name	FYH BEARING UNITS
Minimum Buy Quantity	N/A
Weight / Kilogram	0
Product Group	M06110