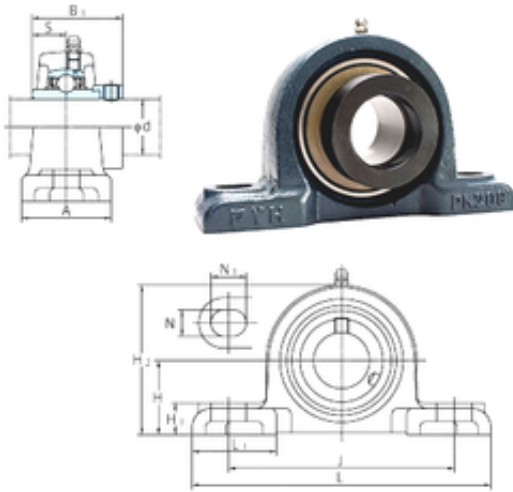




KFY MANUFACTURING MEXICO LIMITED



FYH NAPK210-32 bearing units

Bearing No. NAPK210-32

Bore Diameter	50,8 mm
d	50,8 mm
H	55,6 mm
A	57 mm
B1	62,7 mm
H1	22 mm
H2	112 mm
J	159 mm
L	203 mm
L1	55 mm
N	14 mm
N1	19 mm
S	24,6 mm
Bolt (G)	1/2
Weight	3,2 Kg
Basic dynamic load rating (C)	35,1 kN
Basic static load rating (C0)	23,3 kN

NAPK210-32 Bearing 2D drawings and 3D CAD models