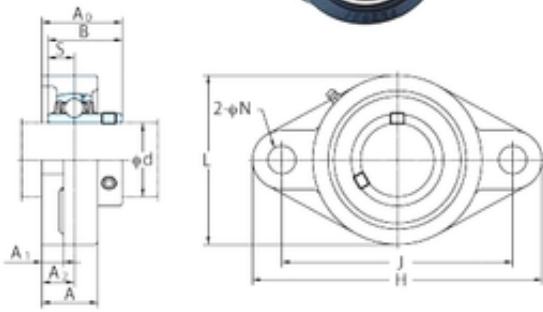




KFY MANUFACTURING MEXICO LIMITED

FYH UCFL306 bearing units

Bearing No. UCFL306



UCFL306 Bearing 2D drawings and 3D CAD models

Bore Diameter	30 mm
d	30 mm
A0	44 mm
A	32 mm
A1	15 mm
B	43 mm
H	180 mm
J	134 mm
L	90 mm
N	23 mm
S	17 mm
Bolt (G)	13,3
Bolt (G)	M20
A2	18 mm
Weight	1,5 Kg
Basic static load rating (C0)	26,7 kN