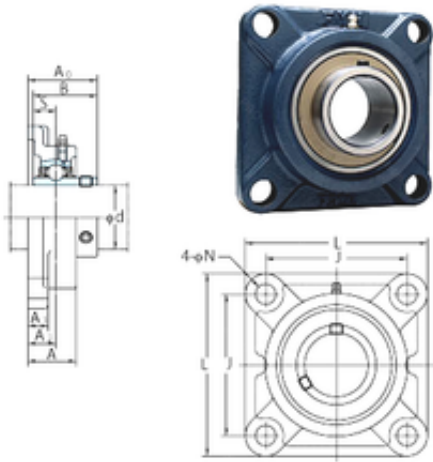




# KFY MANUFACTURING MEXICO LIMITED

## FYH UCF210 bearing units

Bearing No. UCF210



UCF210 Bearing 2D drawings and 3D CAD models

|                               |                         |
|-------------------------------|-------------------------|
| Bore Diameter                 | 50 mm                   |
| d                             | 50 mm                   |
| A0                            | 54,6 mm                 |
| A                             | 40 mm                   |
| A1                            | 16 mm                   |
| B                             | 51,6 mm                 |
| J                             | 111 mm                  |
| L                             | 143 mm                  |
| N                             | 16 mm                   |
| S                             | 19 mm                   |
| Bolt (G)                      | M14                     |
| A2                            | 22 mm                   |
| Weight                        | 2,5 Kg                  |
| Basic dynamic load rating (C) | 35,1 kN                 |
| Basic static load rating (C0) | 23,3 kN                 |
| Category                      | Mounted Units & Inserts |
| Inventory                     | 0.0                     |
| Manufacturer Name             | FYH BEARING UNITS       |
| Minimum Buy Quantity          | N/A                     |
| Weight / Kilogram             | 0                       |
| Product Group                 | M06110                  |