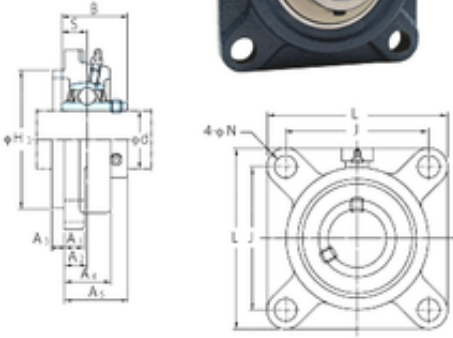




KFY MANUFACTURING MEXICO LIMITED

FYH UCFS305-16 bearing units

Bearing No. UCFS305-16



UCFS305-16 Bearing 2D drawings and 3D CAD models

| | |
|-------------------------------|---------|
| Bore Diameter | 25,4 mm |
| d | 25,4 mm |
| H3 | 80 mm |
| A4 | 22 mm |
| A5 | 32 mm |
| A1 | 13 mm |
| B | 38 mm |
| J | 80 mm |
| L | 110 mm |
| N | 16 mm |
| S | 15 mm |
| Bolt (G) | M14 |
| A2 | 9 mm |
| A3 | 7 mm |
| Weight | 1,4 Kg |
| Basic dynamic load rating (C) | 21,2 kN |
| Basic static load rating (C0) | 10,9 kN |