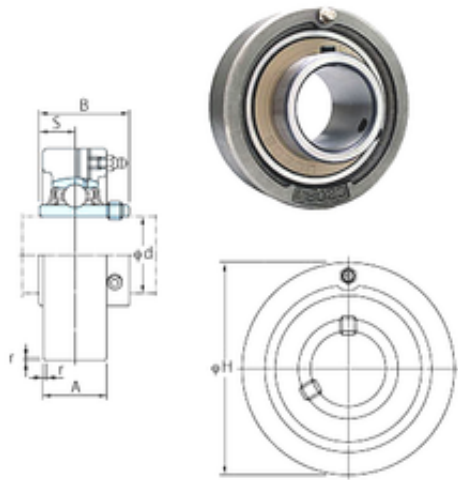




# KFY MANUFACTURING MEXICO LIMITED

## FYH UCCX12 bearing units

Bearing No. UCCX12



UCCX12 Bearing 2D drawings and 3D CAD models

Bore Diameter	60 mm
Width	65,1 mm
d	60 mm
r	2,5 mm
A	44 mm
B	65,1 mm
H	160 mm
S	25,4 mm
Weight	4,6 Kg
Basic dynamic load rating (C)	57,2 kN
Basic static load rating (C0)	40,1 kN