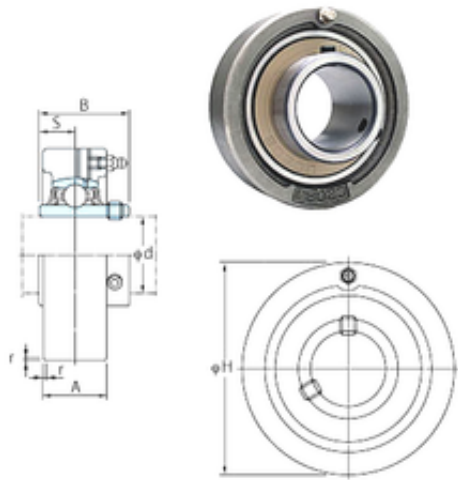




# KFY MANUFACTURING MEXICO LIMITED

## FYH UCC201-8 bearing units

Bearing No. UCC201-8



UCC201-8 Bearing 2D drawings and 3D CAD models

Bore Diameter	12,7 mm
Width	31 mm
d	12,7 mm
r	1,5 mm
A	20 mm
B	31 mm
H	72 mm
S	12,7 mm
Weight	0,52 Kg
Basic dynamic load rating (C)	12,8 kN
Basic static load rating (C0)	6,65 kN