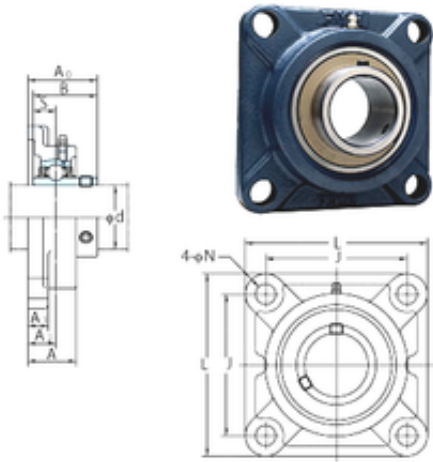




KFY MANUFACTURING MEXICO LIMITED

FYH UCF213-40 bearing units

Bearing No. UCF213-40



UCF213-40 Bearing 2D drawings and 3D CAD models

Bore Diameter	63,5 mm
d	63,5 mm
A0	69,7 mm
A	50 mm
A1	22 mm
B	65,1 mm
J	149 mm
L	187 mm
N	19 mm
S	25,4 mm
Bolt (G)	M16
A2	30 mm
Weight	5,2 Kg
Basic dynamic load rating (C)	57,2 kN
Basic static load rating (C0)	40,1 kN