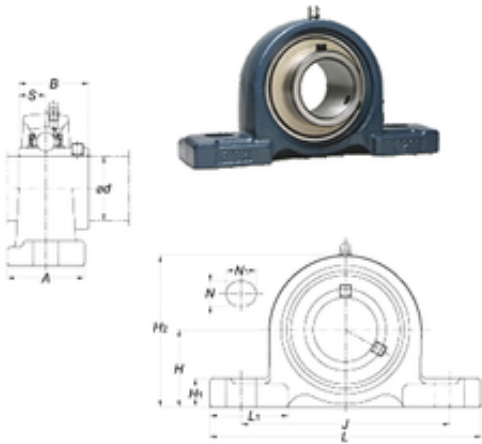




KFY MANUFACTURING MEXICO LIMITED

FYH UCP311-32 bearing units



Bearing No. UCP311-32

Bore Diameter	50,8 mm
Width	66 mm
d	50,8 mm
A	80 mm
B	66 mm
H	80 mm
H1	27 mm
H2	158 mm
J	236 mm
L	310 mm
L1	90 mm
N	20 mm
N1	38 mm
S	25 mm
Bolt (G)	M16
Weight	7,9 Kg
Basic dynamic load rating (C)	71,6 kN
Basic static load rating (C0)	45 kN

UCP311-32 Bearing 2D drawings and 3D CAD models