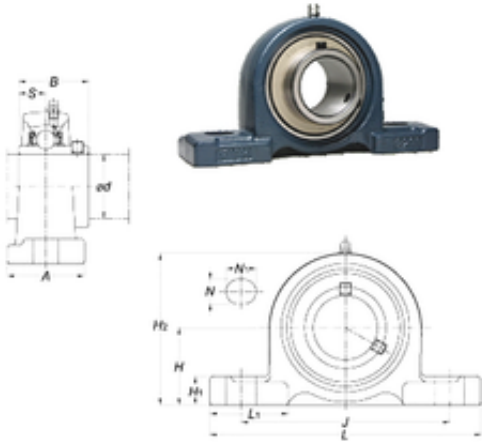




KFY MANUFACTURING MEXICO LIMITED

FYH UCP317 bearing units



Bearing No. UCP317

Bore Diameter	85 mm
Width	96 mm
d	85 mm
A	110 mm
B	96 mm
H	112 mm
H1	40 mm
H2	220 mm
J	320 mm
L	420 mm
L1	120 mm
N	33 mm
N1	45 mm
S	40 mm
Bolt (G)	M27
Weight	20,3 Kg
Basic dynamic load rating (C)	133 kN
Basic static load rating (C0)	96,8 kN
Category	Mounted Units & Inserts
Inventory	0.0
Manufacturer Name	FYH BEARING UNITS
Minimum Buy Quantity	N/A
Weight / Kilogram	0
Product Group	M06110

UCP317 Bearing 2D drawings and 3D CAD models