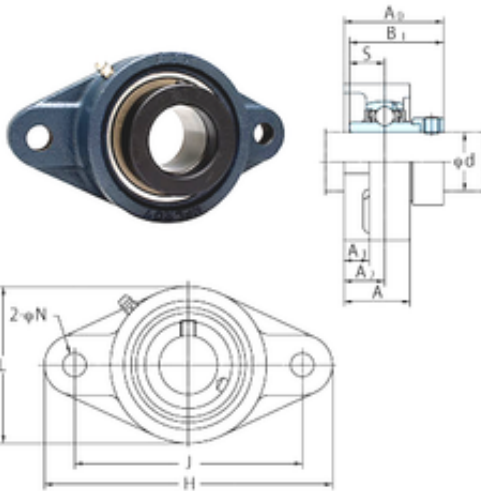




KFY MANUFACTURING MEXICO LIMITED



FYH NANFL208 bearing units

Bearing No. NANFL208

Bore Diameter	40 mm
d	40 mm
A0	58,9 mm
A	39 mm
A1	14 mm
B1	56,3 mm
H	175 mm
J	143,7 mm
L	100 mm
N	13 mm
S	21,4 mm
Bolt (G)	7/16
A2	24 mm
Weight	2 Kg
Basic dynamic load rating (C)	29,1 kN
Basic static load rating (C0)	17,8 kN
Category	Mounted Units & Inserts
Inventory	0.0
Manufacturer Name	FYH BEARING UNITS
Minimum Buy Quantity	N/A
Weight / Kilogram	0
Product Group	M06110

NANFL208 Bearing 2D drawings and 3D CAD models