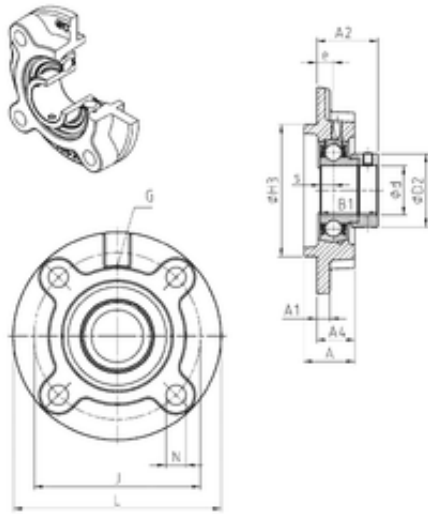




KFY MANUFACTURING MEXICO LIMITED



SNR ESFC201 bearing units

Bearing No. ESFC201

Bore Diameter	12 mm
d	12 mm
H3	55 mm
A4	19 mm
e	10 mm
s	6,5 mm
A	23 mm
A1	5 mm
B1	28,6 mm
D2	28,6 mm
J	70 mm
L	90 mm
N	12 mm
Thread (G)	M6x1
A2	32,1 mm
Weight	0,5 Kg
Basic dynamic load rating (C)	9,55 kN

ESFC201 Bearing 2D drawings and 3D CAD models