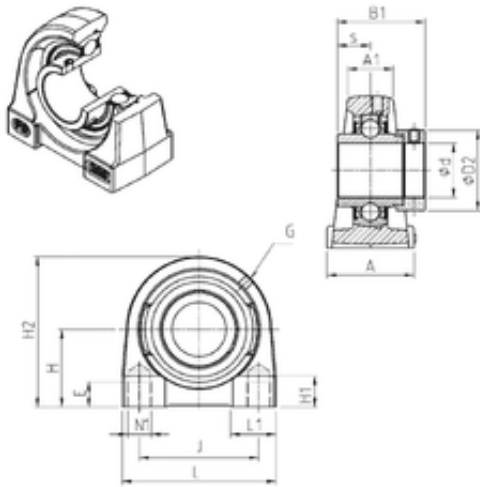




KFY MANUFACTURING MEXICO LIMITED



SNR EXPG206 bearing units

Bearing No. EXPG206

| | |
|-------------------------------|---------|
| Bore Diameter | 30 mm |
| d | 30 mm |
| s | 18,2 mm |
| A | 48 mm |
| A1 | 25 mm |
| B1 | 48,3 mm |
| D2 | 44,5 mm |
| E | 18 mm |
| H | 42,9 mm |
| H1 | 17 mm |
| H2 | 83 mm |
| J | 60 mm |
| L | 85 mm |
| L1 | 25 mm |
| Thread (G) | M6x1 |
| Thread (N1) | M10 |
| Weight | 1,2 Kg |
| Basic dynamic load rating (C) | 19,5 kN |

EXPG206 Bearing 2D drawings and 3D CAD models