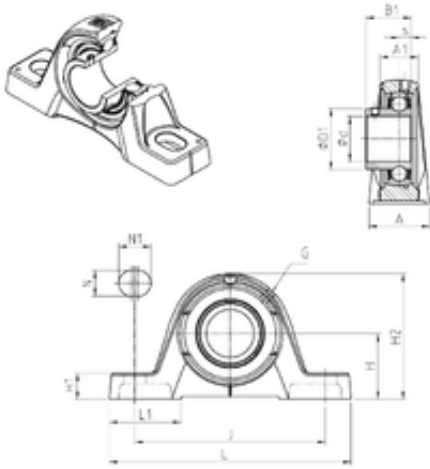




KFY MANUFACTURING MEXICO LIMITED

SNR USPE208 bearing units

Bearing No. USPE208



USPE208 Bearing 2D drawings and 3D CAD models

Bore Diameter	40 mm
d	40 mm
s	9 mm
A	48 mm
A1	30 mm
B1	34 mm
D1	53 mm
H	49,2 mm
H1	19 mm
H2	99 mm
J	138 mm
L	179 mm
L1	53 mm
N	14 mm
N1	26 mm
Thread (G)	R1/8"
Weight	1,8 Kg
Basic dynamic load rating (C)	29,6 kN