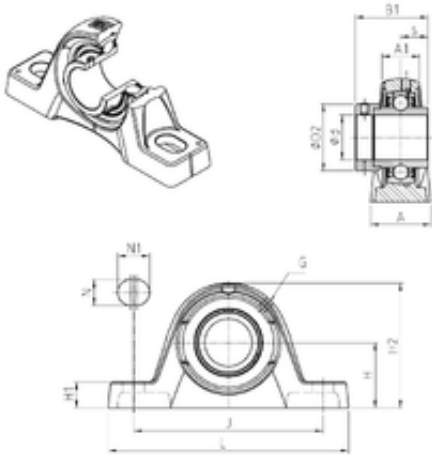




# KFY MANUFACTURING MEXICO LIMITED

## SNR EXPLE207 bearing units

Bearing No. EXPLE207



EXPLE207 Bearing 2D drawings and 3D CAD models

Bore Diameter	35 mm
d	35 mm
s	18,8 mm
A	44,5 mm
A1	30,5 mm
B1	51,1 mm
D2	55,6 mm
H	46,2 mm
H1	16 mm
H2	91,5 mm
J	129 mm
L	166 mm
N	14 mm
N1	21,5 mm
Thread (G)	M6x1
Weight	1,7 Kg
Basic dynamic load rating (C)	25,7 kN