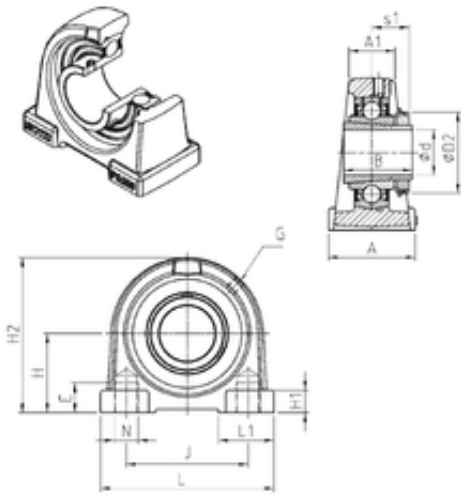




KFY MANUFACTURING MEXICO LIMITED

SNR UKPA208H bearing units

Bearing No. UKPA208H



UKPA208H Bearing 2D drawings and 3D CAD models

Bore Diameter	35 mm
d	35 mm
s1	24,5 mm
A	54 mm
A1	28 mm
B	46 mm
D2	58 mm
E	20 mm
H	49,2 mm
H1	13 mm
H2	100 mm
J	84 mm
L	116 mm
L1	32 mm
Thread (G)	M6x1
Thread (N1)	M14
Weight	1,8 Kg
Basic dynamic load rating (C)	29,6 kN