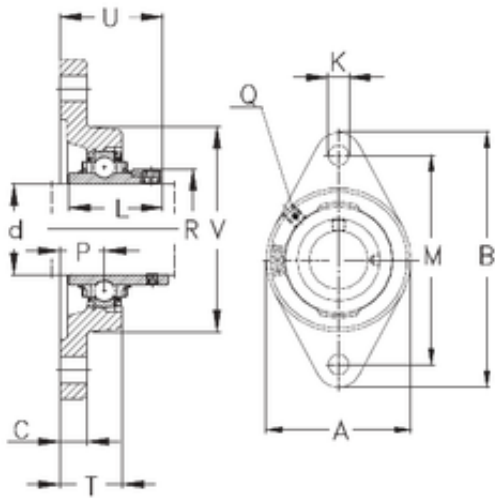




KFY MANUFACTURING MEXICO LIMITED



NKE RCJTY40-N bearing units

Bearing No. RCJTY40-N

Bore Diameter	40 mm
d	40 mm
P	24 mm
V	105 mm
U	54,2 mm
K	14 mm
A	105 mm
B	172 mm
C	13 mm
L	49,2 mm
M	143,5 mm
T	34,5 mm
Thread (G)	R1/8 "

RCJTY40-N Bearing 2D drawings and 3D CAD models