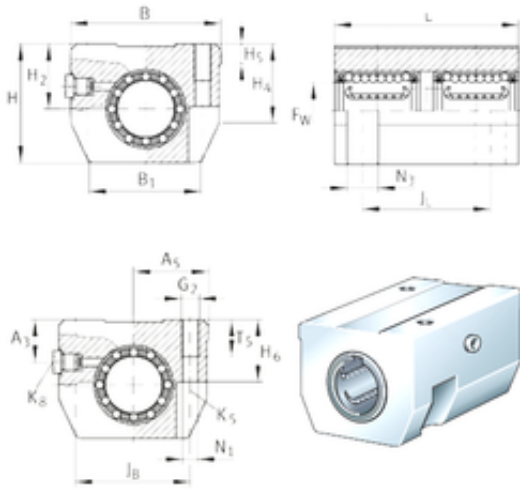




KFY MANUFACTURING MEXICO LIMITED



INA KTHK40-B-PP-AS bearing units

Bearing No. KTHK40-B-PP-AS

Bore Diameter	40 mm
Fw	40 mm
H4	49,7 mm
H5	12,8 mm
H6	38 mm
A5	43,5 mm
Thread (K)	M8
B	87 mm
B1	63 mm
H	73,5 mm
H2	39 mm
L	125 mm
N1	8,4 mm
T	22 mm
A3	23 mm
N2	18 mm
Thread (G2)	M10
JB	69 mm
JL	85 mm
Weight	1,6 Kg
Basic dynamic load rating (C)	8,6 kN

KTHK40-B-PP-AS Bearing 2D drawings and 3D CAD models