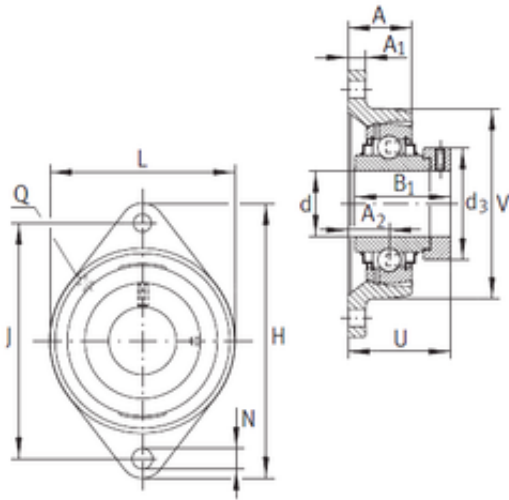




KFY MANUFACTURING MEXICO LIMITED



RCJT40-N Bearing 2D drawings and 3D CAD models

INA RCJT40-N bearing units

Bearing No. RCJT40-N

Bore Diameter	40 mm
d	40 mm
V	105 mm
U	59,1 mm
Thread (Q)	Rp1/8
d3	58 mm
A	34,5 mm
A1	13 mm
B1	56,5 mm
H	172 mm
J	143,5 mm
L	105 mm
N	14 mm
A2	24 mm
Weight	1,66 Kg
Basic dynamic load rating (C)	32,5 kN
Category	Flange Block Bearings
Inventory	0.0
Manufacturer Name	SCHAEFFLER GROUP
Minimum Buy Quantity	N/A
Weight / Kilogram	2.012
EAN	4012802836691
Product Group	M06110
Number of Mounting Holes	2
Mounting Method	Eccentric Collar
Housing Style	2 Bolt Flange Block



KFY MANUFACTURING MEXICO LIMITED

Rolling Element	Ball Bearing
Housing Material	Cast Iron
Expansion / Non-expansion	Non-expansion
Mounting Bolts	14 Millimeter
Relubricatable	Yes
Insert Part Number	GE40KRRB
Seals	Double Land Riding Rubber Contact
Housing Configuration	1 Piece Solid
Pilot Configuration	No Pilot
Inch - Metric	Metric
Long Description	2 Bolt Flange Block; 40MM Bore; 144MM Bolt Circle; 143.5MM Bolt Spacing; 1 Piece Solid; Eccentric Collar Mount; Cast Iron; Ball Bearing; 56.3MM Length Thru Bore; Relubricatable; Double Land Riding Rub
Other Features	Single Row End Cap With Set Screw
Category	Flange Block
UNSPSC	31171501
Harmonized Tariff Code	8483.20.40.40
Noun	Bearing
Keyword String	Flanged
Manufacturer URL	http://www.ina.com
Manufacturer Item Number	RCJT40N
Weight / LBS	3.969
Bore	1.575 Inch 40 Millimeter
Cartridge Pilot Depth	0 Inch 0 Millimeter
Length Thru Bore	2.217 Inch 56.3 Millimeter
Cartridge Pilot Diameter	0 Inch 0 Millimeter
Bolt Spacing	5.65 Inch 143.5 Millimeter
Nominal Bolt Circle	5.7 Inch 144 Millimeter



KFY MANUFACTURING MEXICO LIMITED

Diameter Round	
----------------	--