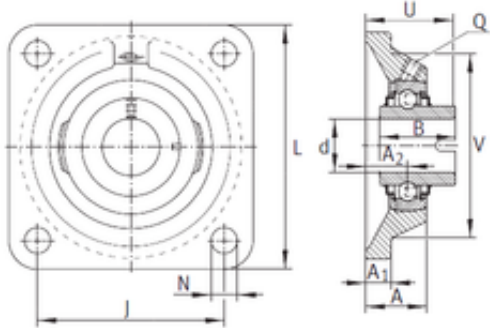




KFY MANUFACTURING MEXICO LIMITED

INA RCJL60-N bearing units



RCJL60-N Bearing 2D drawings and 3D CAD models

Bearing No. RCJL60-N

Bore Diameter	60 mm
d	60 mm
V	150 mm
U	71,3 mm
Thread (Q)	Rp1/8
A	46 mm
A1	16 mm
B	61,9 mm
J	143 mm
L	175 mm
N	18 mm
A2	34 mm
Weight	4,22 Kg
Basic dynamic load rating (C)	52 kN
Category	Flange Block Bearings
Inventory	0.0
Manufacturer Name	SCHAEFFLER GROUP
Minimum Buy Quantity	N/A
Weight / Kilogram	5.058
EAN	4012802133837
Product Group	M06110
Number of Mounting Holes	4
Mounting Method	Drive Slot
Housing Style	4 Bolt Square Flange Block
Rolling Element	Ball Bearing
Housing Material	Cast Iron



KFY MANUFACTURING MEXICO LIMITED

Expansion / Non-expansion	Expansion
Mounting Bolts	18 Millimeter
Relubricatable	Yes
Insert Part Number	GLE60KRRB
Seals	Double Land Riding Rubber Contact
Housing Configuration	1 Piece Solid
Pilot Configuration	No Pilot
Inch - Metric	Metric
Long Description	4 Bolt Square Flange Block; 60MM Bore; 202MM Bolt Circle; 143MM Bolt Spacing; 1 Piece Solid; Drive Slot Mount; Cast Iron; Ball Bearing; 61.9MM Length Thru Bore; Relubricatable; Double Land Riding Rubb
Other Features	Single Row Radial Non Locating Bearing Metric
Category	Flange Block
UNSPSC	31171501
Harmonized Tariff Code	8483.20.40.40
Noun	Bearing
Keyword String	Flanged
Manufacturer URL	http://www.ina.com
Manufacturer Item Number	RCJL60
Weight / LBS	9.28
Bore	2.362 Inch 60 Millimeter
Bolt Spacing	5.63 Inch 143 Millimeter
Length Thru Bore	2.437 Inch 61.9 Millimeter
Nominal Bolt Circle Diameter Round	8 Inch 202 Millimeter
Cartridge Pilot Diameter	0 Inch 0 Millimeter