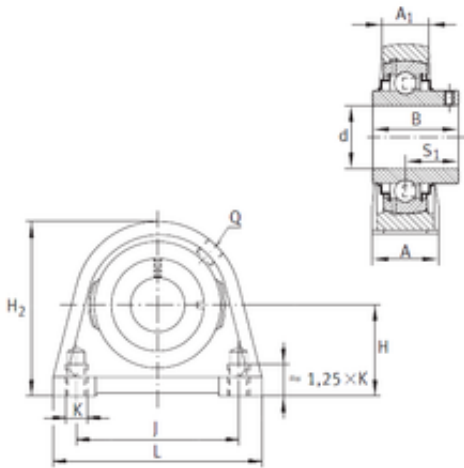




KFY MANUFACTURING MEXICO LIMITED

INA RSHEY17 bearing units

Bearing No. RSHEY17



RSHEY17 Bearing 2D drawings and 3D CAD models

Bore Diameter	17 mm
d	17 mm
Thread (Q)	M6
Thread (K)	M8
A	30 mm
A1	18 mm
B	27,4 mm
H	30,2 mm
H2	57 mm
J	47 mm
L	63 mm
S	15,9 mm
Weight	0,41 Kg
Basic dynamic load rating (C)	9,8 kN
Category	Bearings
Inventory	0.0
Manufacturer Name	SCHAEFFLER GROUP
Minimum Buy Quantity	N/A
Weight / Kilogram	0.41
Product Group	M06110