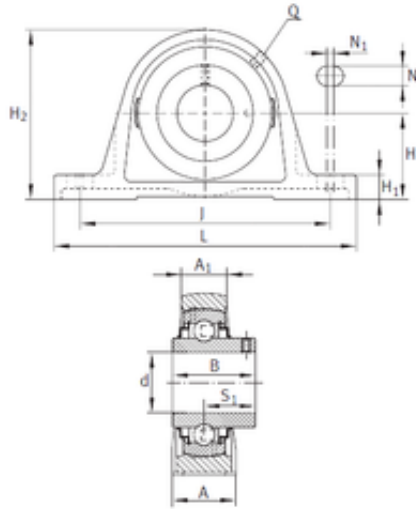




KFY MANUFACTURING MEXICO LIMITED



INA RAKY1-1/4-206 bearing units

Bearing No. RAKY1-1/4-206

Bore Diameter	31.75 mm
d	31.75 mm
S1	22,2 mm
Thread (Q)	1/8 NPT
A	41,504 mm
A1	26,01 mm
B	38,1 mm
H	39,701 mm
H1	16,993 mm
H2	80,493 mm
J	117,247 mm
L	157,15 mm
N	15,012 mm
N1	8,459 mm

RAKY1-1/4-206 Bearing 2D drawings and 3D CAD models