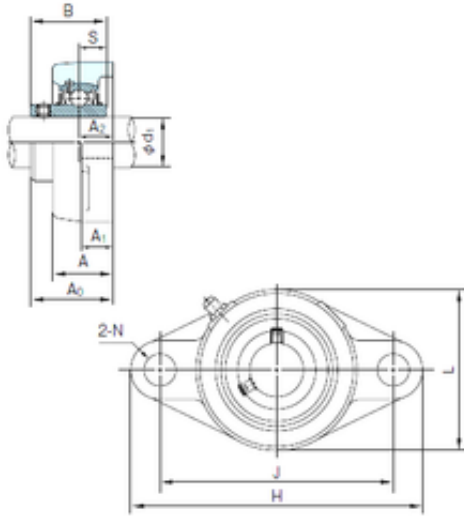




KFY MANUFACTURING MEXICO LIMITED



NACHI UCFL310 bearing units

Bearing No. UCFL310

Bore Diameter	50 mm
d1	50 mm
A0	67 mm
A	48 mm
A1	19 mm
B	61 mm
H	240 mm
J	187 mm
L	140 mm
L1	144 mm
N	25 mm
S	22 mm
Bolt (G)	M22
A2	28 mm

UCFL310 Bearing 2D drawings and 3D CAD models