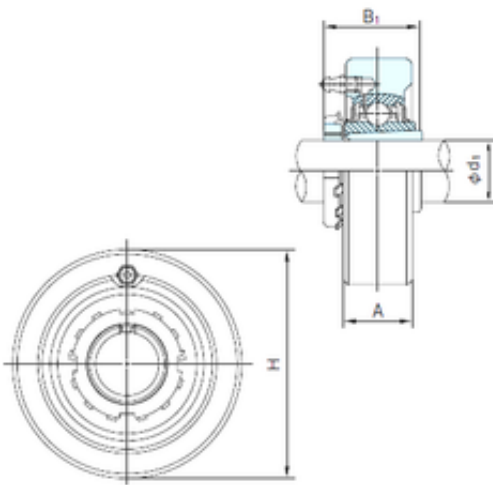




KFY MANUFACTURING MEXICO LIMITED

NACHI UKC310+H2310 bearing units

Bearing No. UKC310+H2310



Bore Diameter	45 mm
Width	140 mm
d	45 mm
A	40 mm
B1	55 mm
H	140 mm

UKC310+H2310 Bearing 2D drawings and 3D CAD models