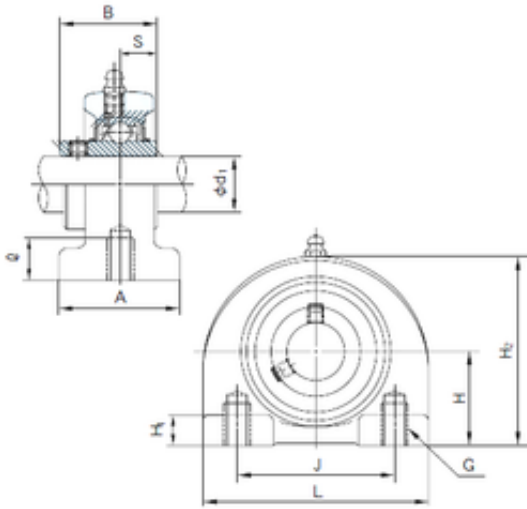




KFY MANUFACTURING MEXICO LIMITED



UCPA204 Bearing 2D drawings and 3D CAD models

NACHI UCPA204 bearing units

Bearing No. UCPA204

Bore Diameter	20 mm
Width	31 mm
d	20 mm
A	38 mm
B	31 mm
H	30.2 mm
H1	8 mm
H2	62 mm
J	52 mm
L	76 mm
S	12.7 mm
	12 Tolerance h14
Thread (G)	M10 × 1.5
Category	Bearings
Inventory	0.0
Manufacturer Name	NACHI
Minimum Buy Quantity	N/A
Weight / Kilogram	0
Product Group	M06110