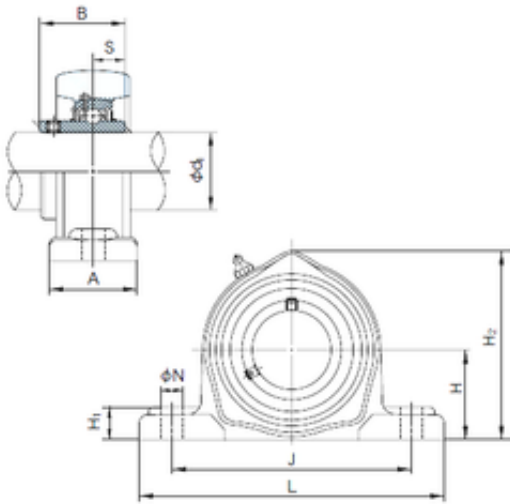




KFY MANUFACTURING MEXICO LIMITED

NACHI UCPK318 bearing units

Bearing No. UCPK318



UCPK318 Bearing 2D drawings and 3D CAD models

Bore Diameter	90 mm
Width	96 mm
d	90 mm
A	105 mm
B	96 mm
H	118 mm
H1	50 mm
H2	245 mm
J	330 mm
L	417 mm
N	32 mm
S	40 mm
Bolt (G)	M27