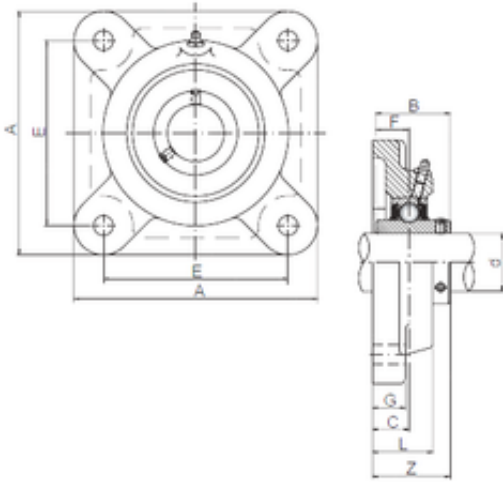




KFY MANUFACTURING MEXICO LIMITED



ISO UCF317 bearing units

Bearing No. UCF317

Bore Diameter	85 mm
Width	96 mm
d	85 mm
Z	100 mm
A	260 mm
B	96 mm
C	44 mm
E	204 mm
F	40 mm
G	27 mm
L	74 mm
S	31 mm
Bolt (G)	M27

UCF317 Bearing 2D drawings and 3D CAD models