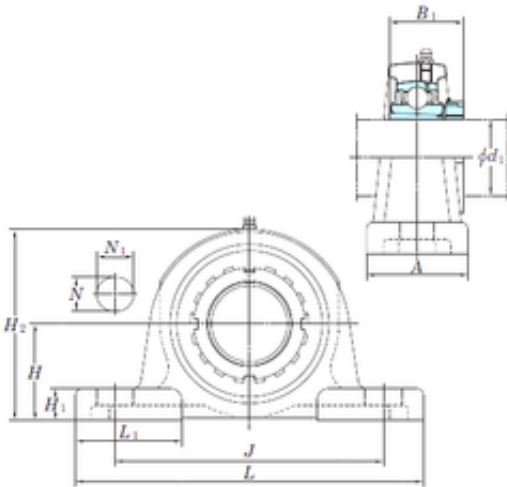




KFY MANUFACTURING MEXICO LIMITED

KOYO UKP312 bearing units

Bearing No. UKP312



UKP312 Bearing 2D drawings and 3D CAD models

Bore Diameter	55 mm
Width	85 mm
d	55 mm
A	85 mm
B1	62 mm
H	85 mm
H1	29 mm
H2	167 mm
J	250 mm
L	330 mm
L1	103 mm
N	25 mm
N1	38 mm
Bolt (G)	M20
Weight	9,4 Kg
Basic dynamic load rating (C)	81,9 kN
Basic static load rating (C0)	52,2 kN
Bearing No.	UKP312
Bolt size	M20
Cr	81.9
C0r	52.2
f0	13.2
B	62
S	9.4
(Refer.)Unit mass(kg)	R1/8