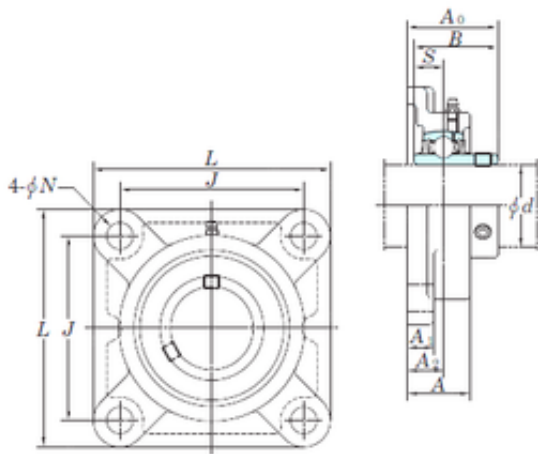




KOYO UCF315-47 bearing units

Bearing No. UCF315-47



UCF315-47 Bearing 2D drawings and 3D CAD models

Bore Diameter	74,6125 mm
d	74,6125 mm
A0	89 mm
A	66 mm
A1	25 mm
B	82 mm
J	184 mm
L	236 mm
N	25 mm
S	32 mm
Bolt (G)	M22
A2	39 mm
Weight	11,6 Kg
Basic dynamic load rating (C)	113 kN
Basic static load rating (C0)	77,2 kN