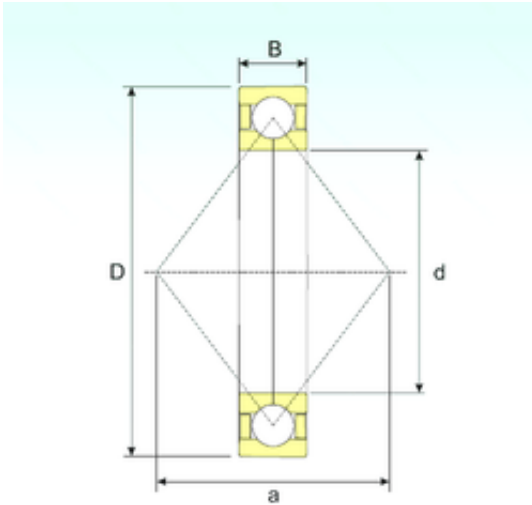




KFY MANUFACTURING MEXICO LIMITED



220 mm x 340 mm x 56 mm ISB QJ 1044 angular contact ball bearings

Bearing No. QJ 1044

Size	220x340x56 mm
Bore Diameter	220 mm
Outer Diameter	340 mm
Width	56 mm
d	220 mm
D	340 mm
B	56 mm
C	56 mm
a	196 mm
Weight	19,5 Kg
Basic dynamic load rating (C)	442 kN
Basic static load rating (C0)	560 kN
(Grease) Lubrication Speed	1500 r/min

QJ 1044 Bearing 2D drawings and 3D CAD models