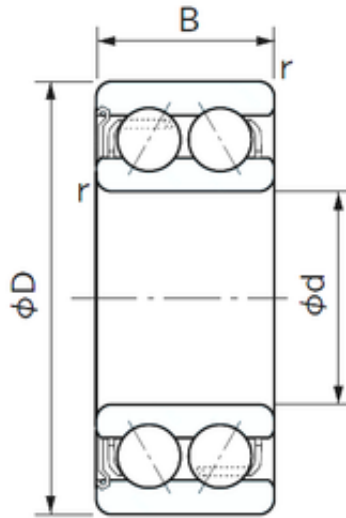




## KFY MANUFACTURING MEXICO LIMITED



10 mm x 30 mm x 14.3 mm NACHI 5200Z  
angular contact ball bearings

Bearing No. 5200Z

Size	10x30x14.3 mm
Bore Diameter	10 mm
Outer Diameter	30 mm
Width	14.3 mm
d	10 mm
D	30 mm
B	14.3 mm
C	14.3 mm
Angle ( )	30 °
r min.	0.6 mm
Weight	0.050 Kg
Basic dynamic load rating (C)	7,3 kN
Basic static load rating (C0)	4 kN
(Grease) Lubrication Speed	18000 r/min

5200Z Bearing 2D drawings and 3D CAD models