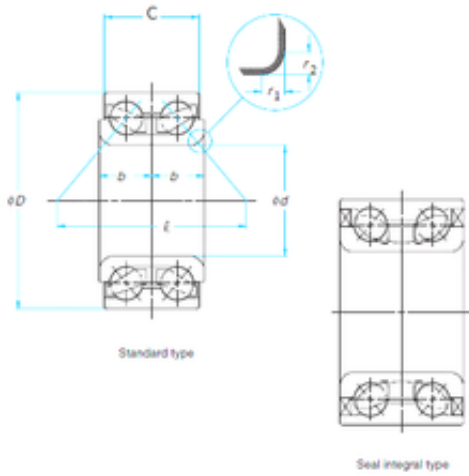




KFY MANUFACTURING MEXICO LIMITED

42 mm x 84,25 mm x 38 mm ISO
 DAC42842538 angular contact ball bearings



Bearing No. DAC42842538

Size	42x84.25x38 mm
Bore Diameter	42 mm
Outer Diameter	84,25 mm
Width	38 mm
d	42 mm
D	84,25 mm
B	38 mm
C	38 mm

DAC42842538 Bearing 2D drawings and 3D CAD models