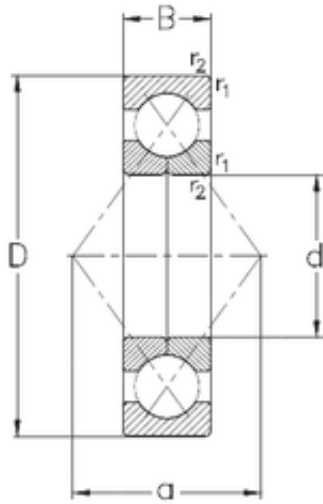




KFY MANUFACTURING MEXICO LIMITED



75 mm x 130 mm x 25 mm NKE QJ215-MPA
angular contact ball bearings

Bearing No. QJ215-MPA

Size	75x130x25 mm
Bore Diameter	75 mm
Outer Diameter	130 mm
Width	25 mm
d	75 mm
D	130 mm
B	25 mm
C	25 mm
a	72 mm
r1 min.	1,5 mm
r2 min.	1,5 mm
Weight	1,77 Kg
Basic dynamic load rating (C)	124 kN
Basic static load rating (C0)	123 kN

QJ215-MPA Bearing 2D drawings and 3D CAD models