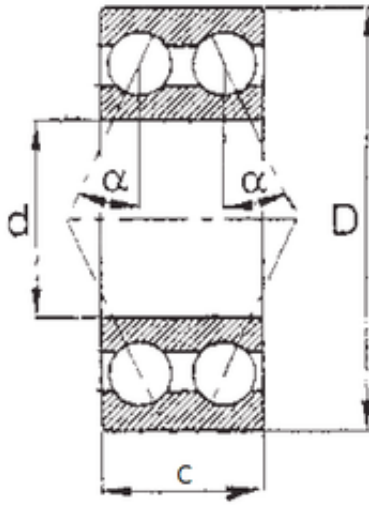




# KFY MANUFACTURING MEXICO LIMITED



50 mm x 110 mm x 44,4 mm FBJ 5310 angular contact ball bearings

Bearing No. 5310

Size	50x110x44.4 mm
Bore Diameter	50 mm
Outer Diameter	110 mm
Width	44,4 mm
d	50 mm
D	110 mm
B	44,4 mm
C	44,4 mm
Angle ( )	25 °
Weight	1,81 Kg
Basic dynamic load rating (C)	85,5 kN
Basic static load rating (C0)	64,5 kN
(Grease) Lubrication Speed	3600 r/min

5310 Bearing 2D drawings and 3D CAD models