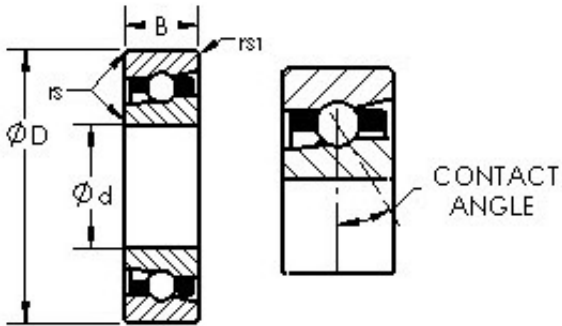




# KFY MANUFACTURING MEXICO LIMITED



## AST H7032AC/HQ1 angular contact ball bearings

Bearing No. H7032AC/HQ1

Size	160x240x38 mm
Bore Diameter	160 mm
Outer Diameter	240 mm
Width	38 mm
Bearing Type	25 deg contact, high speed
Bore Dia (d)	160.0000
Outer Dia (D)	240.0000
Width (B)	38.0000
Radius (min) (rs)	2.100
Dynamic Load Rating (Cr)	71,600
Static Load Rating (Cor)	89,500
Max Speed (Grease) (X1000 RPM)	6
Max Speed (Oil) (X00 RPM)	10
Radius (min) (rs1)	1.100
Material	52100 Chrome steel (or equivalent)

H7032AC/HQ1 Bearing 2D drawings and 3D CAD models