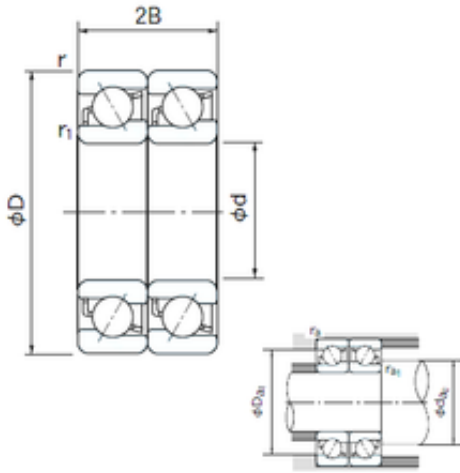




KFY MANUFACTURING MEXICO LIMITED



105 mm x 225 mm x 49 mm NACHI 7321BDT
angular contact ball bearings

Bearing No. 7321BDT

7321BDT Bearing 2D drawings and 3D CAD models

Size	105x225x49 mm
Bore Diameter	105 mm
Outer Diameter	225 mm
Width	49 mm
d	105 mm
D	225 mm
B	49 mm
C	49 mm
Angle (°)	40 °
a	44.8 mm
r min.	3 mm
r1 min.	1.1 mm
2B	98 mm
da min.	112 mm
Da max.	218 mm
ra max.	1 mm
Weight	9.34 Kg
Basic dynamic load rating (C)	335 kN
Basic static load rating (C0)	390 kN
(Grease) Lubrication Speed	1900 r/min
Bore Type	Cylindrical Bore
Enclosure	Open
Configuration	Duplex
Bore Size	105 mm
Outside Diameter	225 mm



KFY MANUFACTURING MEXICO LIMITED

Width	49 mm
Fillet Radius/Chamfer	3 mm
r1	1.1 mm
Dynamic Load Rating	335,000 N
Static Load Rating	390,000 N
Limiting Speed - Grease	1,900 rpm
Limiting Speed - Oil	2,600 rpm
da1 (min)	119 mm
da2 (min)	112 mm
Da1 (max)	211 mm
Da2 (max)	218 mm
ra (max)	2.5 mm
ra1 (max)	1 mm