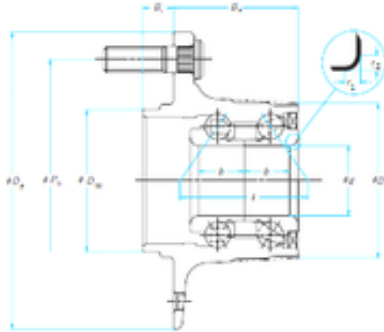




KFY MANUFACTURING MEXICO LIMITED

NSK 27BWK04D2a angular contact ball bearings



27BWK04D2a Bearing 2D drawings and 3D CAD models

Bearing No. 27BWK04D2a

Bore Diameter	27 mm
Outer Diameter	134 mm
d	27 mm
D	134 mm
Df	134 mm
Pb	100 mm
Bi	15 mm
b	25 mm
r1 min.	4,5 mm
r2 min.	3,6 mm
B1	52,5 mm
D	64,7 mm
Dw	59 mm
	59,8 Tolerance h14
Weight	1,45 Kg
Basic dynamic load rating (C)	38,5 kN
Basic static load rating (C0)	29,6 kN